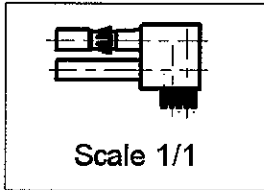
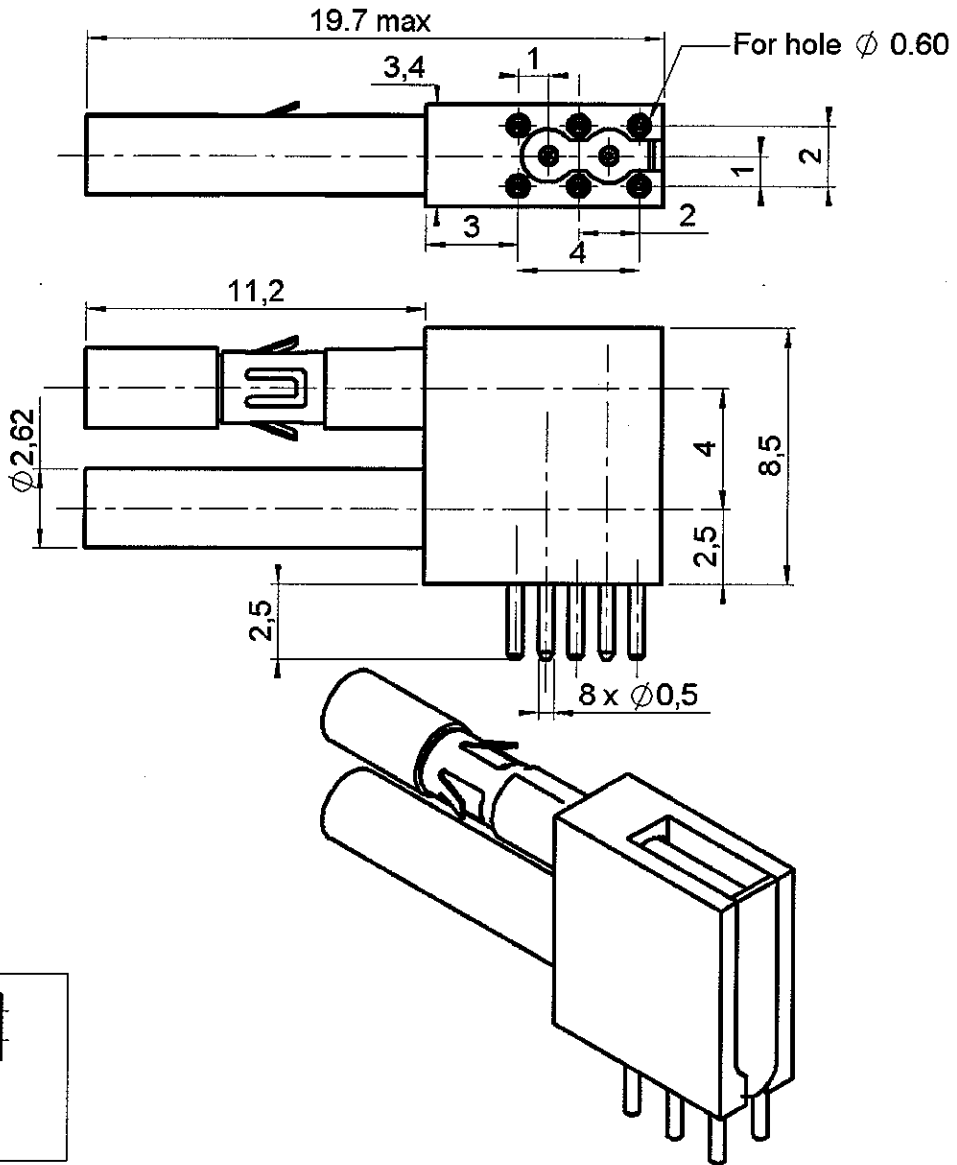


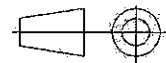
**RIGHT ANGLE FEMALE TWIN INSERT
FOR PCB**

R199.001.502

Series : MCC2



All dimensions are in mm.



| COMPONENTS | MATERIALS | PLATINGS (µm) |
|----------------|------------------|------------------------|
| BODY | BRASS | NICKEL 2 |
| CENTER CONTACT | BERYLLIUM COPPER | GOLD 1.3 OVER NICKEL 2 |
| OUTER CONTACT | BRASS | GOLD 1.3 OVER NICKEL 2 |
| INSULATOR | PTFE | |
| GASKET | - | |
| OTHERS PARTS | - | |
| . | - | |
| . | - | |
| . | - | |

Issue : 0330 E

In the effort to improve our products, we reserve the right to make changes judged to be necessary.



**RIGHT ANGLE FEMALE TWIN INSERT
FOR PCB**

R199.001.502

Series : MCC2

PACKAGING

| Standard | Unit | Other |
|----------|------------|------------|
| 100 | 'W' option | Contact us |

SPECIFICATION

ELECTRICAL CHARACTERISTICS

| | | |
|---------------------------------|---------------|-----------------------------|
| Impedance | | 50 Ω |
| Frequency | | 0-6 GHz |
| VSWR | 1.12 + | 0.000 x F(GHz) Maxi |
| Insertion loss | | 0.2 √F(GHz) dB Maxi |
| RF leakage | - (| AD - F(GHz)) dB Maxi |
| Voltage rating | | 500 Veff Maxi |
| Dielectric withstanding voltage | | 750 Veff mini |
| Insulation resistance | | 5000 MΩ mini |

ENVIRONMENTAL

| | |
|-----------------------|---------------------|
| Operating temperature | -25/+125 ° C |
| Hermetic seal | NA Atm.cm3/s |
| Panel leakage | NA |

OTHERS CHARACTERISTICS

Assembly instruction

Others :

ROS 1.12 MAXI OPTIMISE ENTRE 0 ET 3 GHz

MECHANICAL CHARACTERISTICS

| | |
|----------------------------|--|
| Center contact retention | |
| Axial force – Mating end | 6 N mini |
| Axial force – Opposite end | 6 N mini |
| Torque | NA N.cm mini |
| Recommended torque | |
| Mating | NA N.cm |
| Panel nut | NA N.cm |
| Mating life | |
| Weight | 500 Cycles mini 2.100 g |

Issue : 0330 E

In the effort to improve our products, we reserve the right to make changes judged to be necessary.

